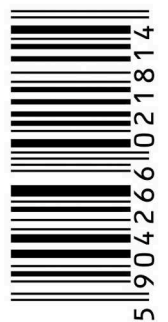
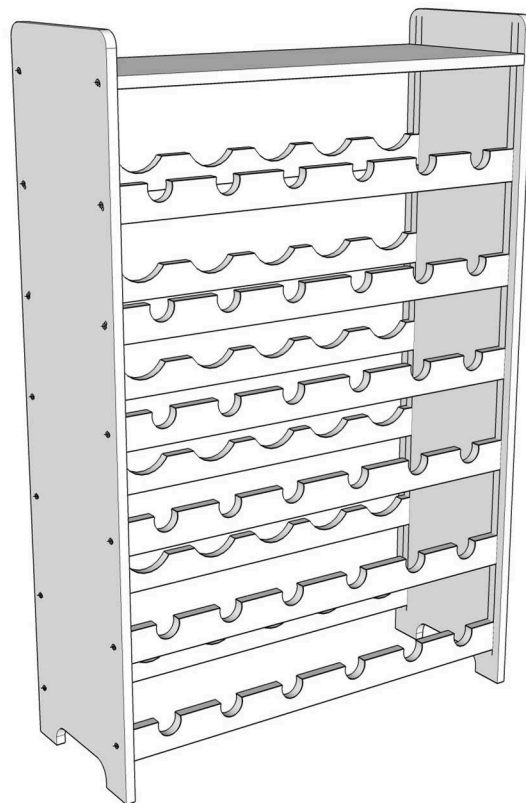
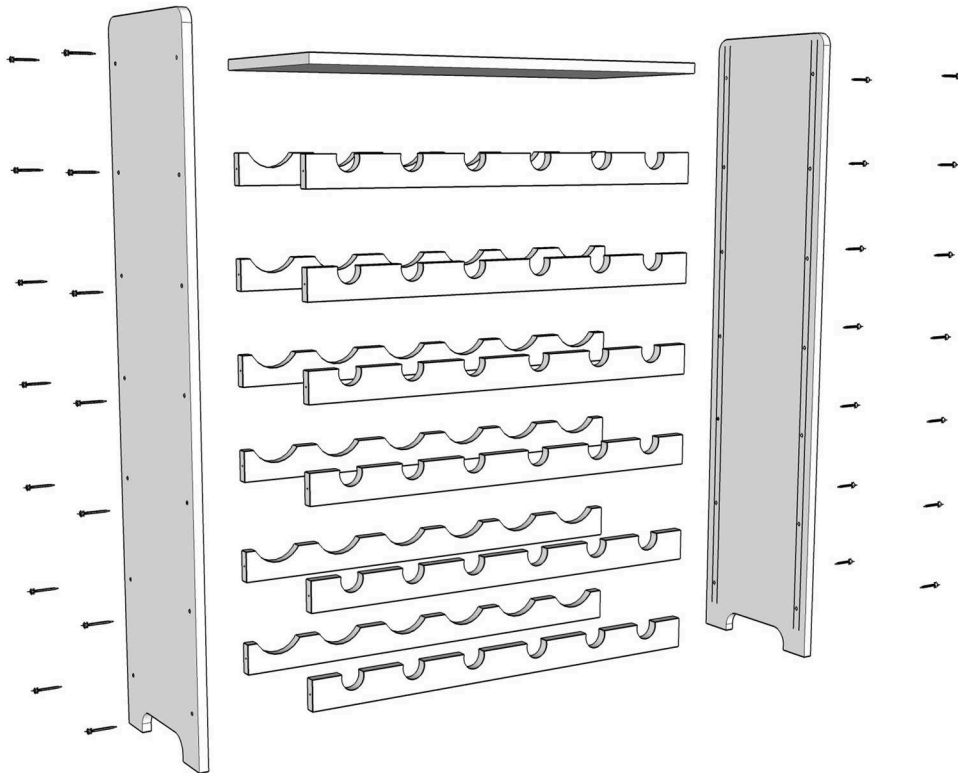
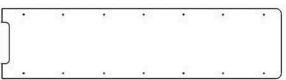






RW-3-36P



| | |
|---|------------|
|  | x2 |
|  | x1 |
|  | x6 |
|  | x6 |
|  | x28 |